

Solar security system

Quick Guide



2017-05-15

Content

1. About system	-----3
2. Solar panel fixed	-----4
3. Camera fixed	-----5
4. System fixed	-----6
5. Line connection	----- 7
6. More info	-----11

1.About System

1.1 When you received solar security system, the product package should contain the following accessories:

50W solar panel *1

4G&3G Camera *1

Bracket *1

Battery box (20A lithium battery build-in) *1

Camera bracket *1

Screws bag *1

Power adapter *1

If you find any product damaged or parts missing,please contact with our sales or re-seller on time.



2.Fixed Solar panel

The screws are on the bracket already, we just need to adjust the directions of the solar panel and tighten the screws.(there are total 7 screws need to be fixed)

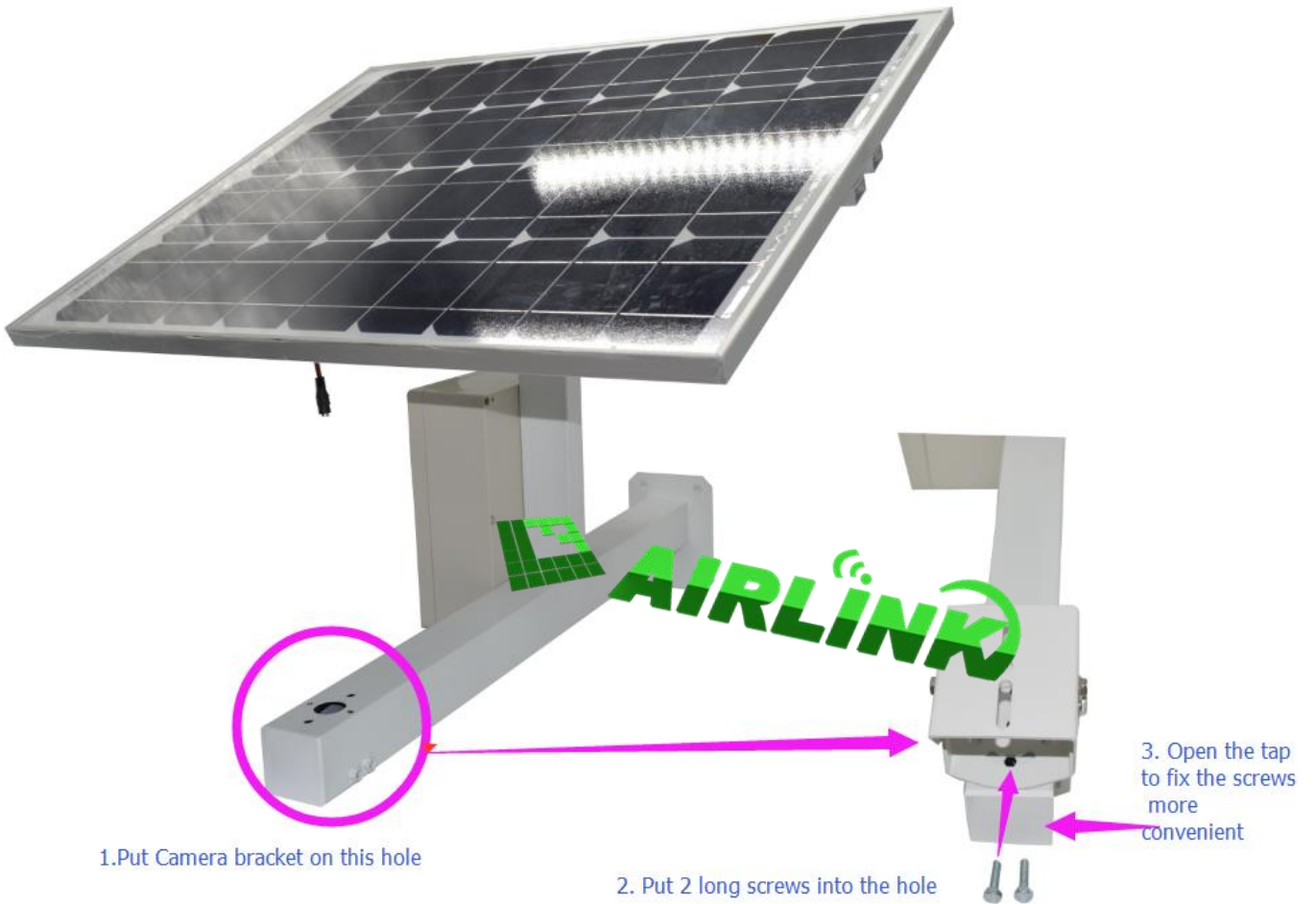


3.Install Camera

(4G Camera must finish setting before installation, about camera setting, please check 4G camera user manual.)

Find the Camera bracket in screws box, mounting on the

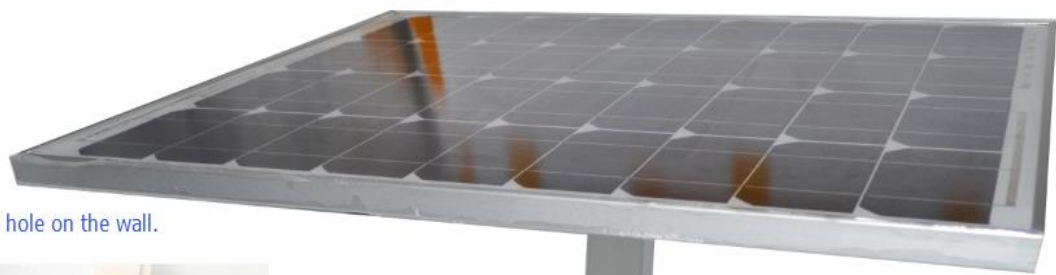
bracket, align the hole, and put two long screws and nuts fixed the bracket, open the tap in front of the solar bracket will be more convenient to fix the camera bracket screws.



4. Mounting System

Use electric drill to dig hole on the wall, insert longest screws into the bracket hole and wall hole, use nut to fix.

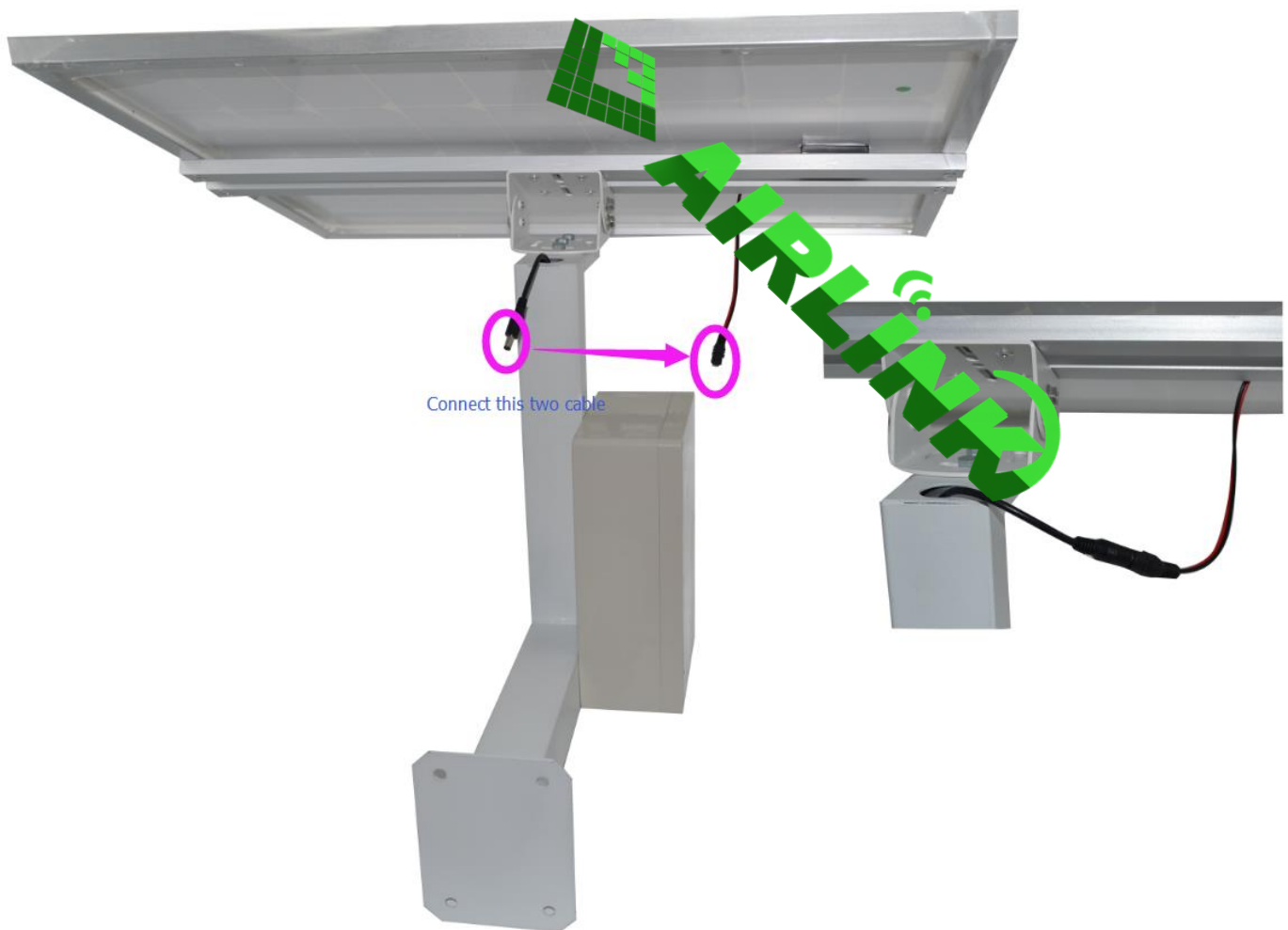
1. Use electric drill to dig hole on the wall.



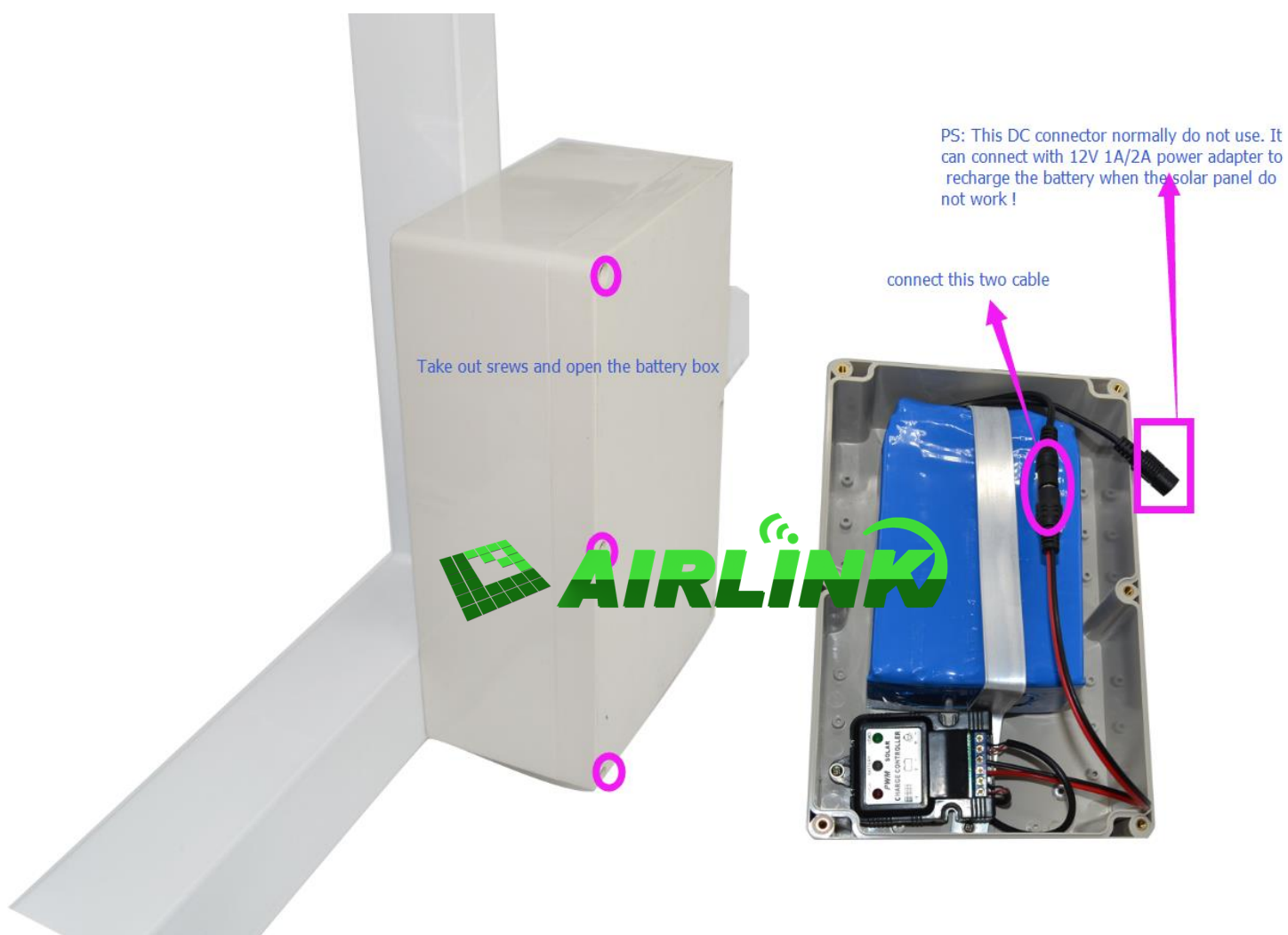
2. Put the longest Screws to bracket hole to fixed the solar system.

5.Line connection

You can find one DC connector in the hole at the top of the solar bracket,plug it into the solar panel power line DC connector.



Take out screws and open the battery box, you can see there has three DC connectors, connected one male connector with female connector “OK”. Another female is spare part, we do not need to connect it with anything in standard set (It can connect with 12V 1A/2A power adapter to recharge the battery directly when the solar panel do not work or adding same capacity extra battery for power longer system)



Connect the DC connector which is in the solar bracket bottom hole with the camera DC connector.



PS: Please use electrical insulation tape to seal all the DC connector connection interface in solar security system.



the Solar security system is ready to use now !



6. More info

This manual only provides basic guidance and simple function instructions, please refer to the content in CD for more information.

If you need technical support or have any suggestions for improvement of the product , please contact ours sales staff or dealers.